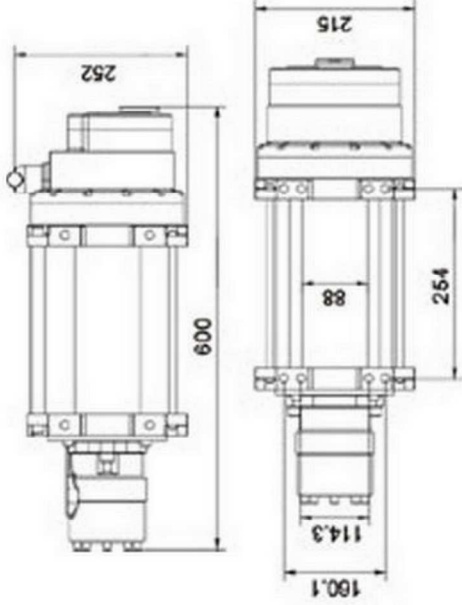




HYDRAULIC WINC 15000 LB



| Line Pull and Pressure Difference | | | | | | |
|--|-----|------|------|------|-------|-------|
| Line Pull | lbs | No | 4000 | 8000 | 12000 | 15000 |
| Pressure difference between motor entry and exit | kg | Load | 1816 | 3632 | 5448 | 6810 |
| | Mpa | | 1.0 | 3.0 | 6.0 | 9.0 |
| | | | | | | 11 |

| 15000 lbs Line Pull and Cable Capacity | | | | | | |
|--|-----------------|--------|-------|-------|-------|------|
| Layers of Cable | Rated Line Pull | lbs | 15000 | 12184 | 10258 | 8857 |
| Per Layer | | kg | 6810 | 5531 | 4657 | 4021 |
| Line | | ft/min | 11.5 | 14.8 | 18 | 19.7 |
| Speed | | m/min | 3.5 | 4.5 | 3.5 | 6.0 |
| Cable Capacity | | ft/min | 19.7 | 42.6 | 78.7 | 92 |
| Flow | | m/min | 6.0 | 13 | 24 | 28 |
| | | G/min | 15.9 | 15.9 | 15.9 | 15.9 |
| | | L/min | 60 | 60 | 60 | 60 |

| | |
|-----------------------|---------------------------|
| Rated Line Pull | 15000lbs(6810kgs) |
| Motor Displacement | 80ml / r |
| Control | Remote Control |
| Gear Train | 4-Stage Gear-Driven |
| Gear Reduction Ratio | 50:1 |
| Max. Flow | 60L/min |
| Max. Pressure | 14Mpa |
| Clutch | Sliding Ring Gear |
| Brake Action | Automatic in drum |
| Drum Diameter | 88mm |
| Drum Length | 224mm |
| Steel Cable | Dia 11.5mmx28m |
| Fairlead | 4-Way Roller Fairlead |
| Remote Control | Included |
| Battery Leads | 25mm ² x1.8m |
| Dimensions | 600mm Lx215mm d.x252mm h. |
| Mounting Bolt Pattern | 254mm x 114.3mm |
| Weight | 150lbs(68kgs) |