

ATV-3000

1,363 kg / 3,000 lb Capacity for ATV Winch



Features

- Winch drum centered to avoid tire interference and provide streamlined appearance
- High torque permanent magnet motor delivers high torque and power at lower amp. draw
- Full metal 3 stage planetary gear train
- Cam activated freespool for fast wire rope payout
- Weather resistant, sealed solenoid
- Automatic load-holding mechanical brake for strength and reliability
- Roller fairlead supplied

SPECIFICATION / PART NUMBERS

- **Line Pull** : 1,363 kg / 3,000 lb
- **Motor** : 800w / 1.0hp
- **Gear Train** : 3 stage planetary gears
- **Gear Ratio** : 145:1
- **Brake** : Dynamic and Mechanical
- **Freespool** : Cam activated
- **Wire Rope Size** : 4.8mm × 15.2m (3/16" × 50')
- **Wire Rope Type** : Galvanized aircraft
- **Control** : Remote control and handlebar trigger switch
- **Mounting Bolt Pattern** : 76 x 124mm (3" x 4.9")

*Limited lifetime warranty

LINE PULL AND ROPE CAPACITY

Layer of Wire Rope	Line Pull, kg / lb	Total Rope on the Drum, m / ft
1st	1,363 / 3,000	2.6 / 8.5
2nd	1,170 / 2,590	5.7 / 18.7
3rd	1,030 / 2,270	9.2 / 30.2
4th	920 / 2,030	13.1 / 43
5th	830 / 1,830	15.2 / 50

LINE SPEED AND AMP. DRAW (1st layer of rope on the drum)

Line Pull, kg / lb	Line Speed, mpm / fpm	Amp. Draw, A
No Load	7.6 / 24.9	15
230 / 500	6.3 / 20.7	40
450 / 1,000	4.9 / 16.1	70
680 / 1,500	4.3 / 14.1	100
900 / 2,000	3.7 / 12.1	140
1,140 / 2,500	3.1 / 10.2	180
1,363 / 3,000	2.5 / 8.2	230

WARNING

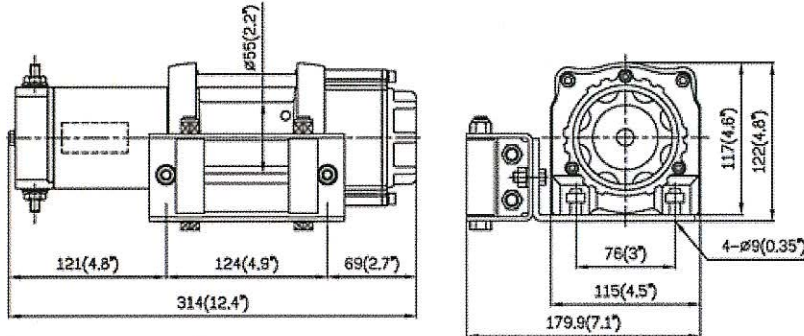
Winches are not to be used for the lifting or moving of persons

WARRANTY

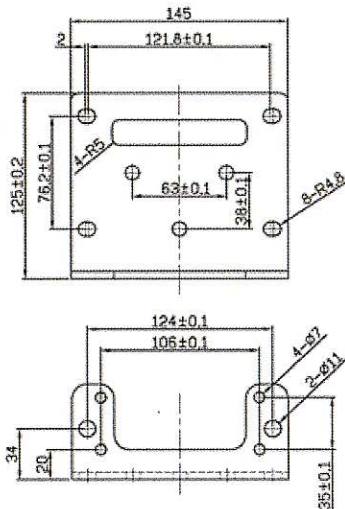
Each new winch is guaranteed against defects in workmanship and material defects for a period of twelve months from date of purchase

WIRE ROPES ARE NOT INCLUDED UNDER WARRANTY.

DIMENSIONS(mm/in)



BASE PLATE DIMENSIONS(mm/in)



STANDARD ACCESSORIES

- Winch Ass'y with Wire Rope [WA-0602](#)
- Remote Control [WA-0314](#)
- Remote Scket Assembly
- Solenoid [WA-0205](#)
- 6 gague Battery Lead
- Roller Fairlead [WA-0511](#)
- Base Plate
- Mounting Hardware
- Handlebar Trigger Switch [WA-0316](#)
- Handlebar Hardware

PACKAGE

- **Winch weight** : 7.1 kg / 15.7 lb (with wire rope)
- **Gross Weight** : 12.7 kg / 28.0 lb
- **Box Dimension** : 340 × 285 × 140mm (13.4" × 11.2" × 5.5")

DOWNLOAD

- [ATV-3000 Manual](#)