

ATV-1500

680 kg / 1,500 lb Capacity for ATV Winch



Features

- Winch drum centered to avoid tire interference and provide streamlined appearance
- High torque permanent magnet motor delivers high torque and power at lower amp. draw
- Full metal 3 stage planetary gear train
- Cam activated freespool for fast wire rope payout
- Weather resistant, sealed solenoid
- Automatic load-holding mechanical brake for strength and reliability
- Roller fairlead supplied

SPECIFICATION / PART NUMBERS

- **Line Pull** : 680 kg / 1,500 lb
- **Motor** : 300w / 0.4hp
- **Gear Train** : 3 stage planetary gears
- **Gear Ratio** : 103:1
- **Brake** : Dynamic and Mechanical
- **Freespool** : Cam activated
- **Wire Rope Size** : 4mm × 15.2m (5/32" × 50')
- **Wire Rope Type** : Galvanized aircraft
- **Control** : Handlebar trigger switch
- **Mounting Bolt Pattern** : 76 x 124mm (3" x 4.9")

*Limited lifetime warranty

LINE PULL AND ROPE CAPACITY

Layer of Wire Rope	Line Pull, kg / lb	Total Rope on the Drum, m / ft
1st	680 / 1,500	2.4 / 7.9
2nd	571 / 1,256	5.2 / 17.1
3rd	492 / 1,082	8.5 / 27.9
4th	433 / 953	12.2 / 40.0
5th	386 / 849	15.2 / 50

LINE SPEED AND AMP. DRAW (1st layer of rope on the drum)

Line Pull, kg / lb	Line Speed, mpm / fpm	Amp. Draw, A
No Load	4.6 / 15	10
230 / 500	3.3 / 11	30
450 / 1,000	2.1 / 7	60
680 / 1,500	1.5 / 5	100

WARNING

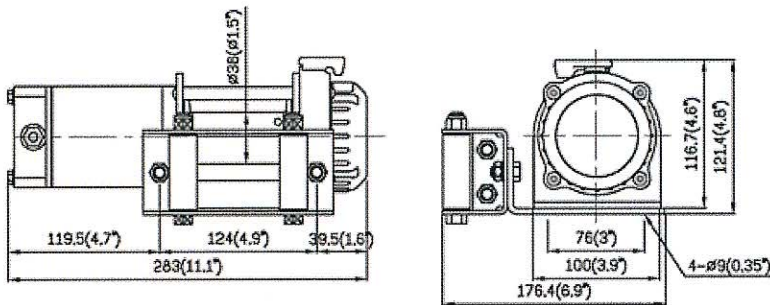
Winches are not to be used for the lifting or moving of persons

WARRANTY

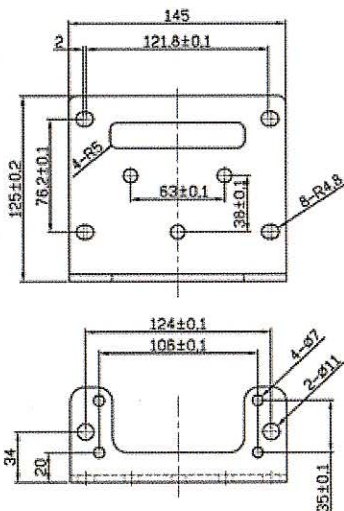
Each new winch is guaranteed against defects in workmanship and material defects for a period of twelve months from date of purchase

WIRE ROPES ARE NOT INCLUDED UNDER WARRANTY.

DIMENSIONS(mm/in)



BASE PLATE DIMENSIONS(mm/in)



STANDARD ACCESSORIES

- Winch Ass'y with Wire Rope [WA-0627](#)
- Handlebar Trigger Switch [WA-0315](#)
- 6 gauge battery lead
- Solenoid [WA-0207](#)
- Base Plate
- Roller Fairlead [WA-0511](#)
- Handlebar Hardware
- Mounting Hardware

PACKAGE

- **Winch weight** : 5.2 kg / 11.5 lb (including wire rope)
- **Gross Weight** : 10 kg / 22 lb
- **Box Dimension** : 296 × 223 × 140mm (11.7" × 8.8" × 5.5")

DOWNLOAD

- [ATV1500 Manual](#)
- [ATV/UTV Winch Catalog](#)